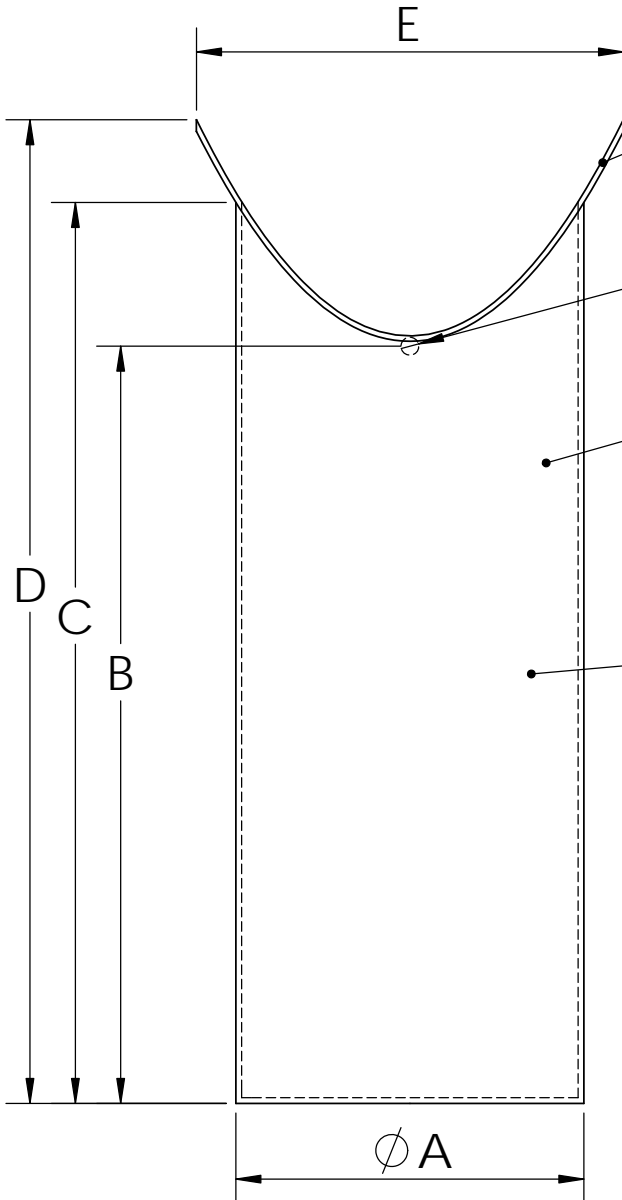
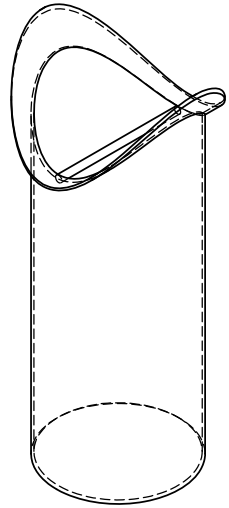


ETCH ON FLANGE
www.drain-net.com



.06" THICK SHEET
(NOT PERFORATED)

$\phi 0.19$

.06" THICK PERFORATED
316 STAINLESS STEEL

1/8" DIA HOLES ON
3/16 STAGGERED CENTERS
SIDE AND BASE.

MODEL SIZE	A	B	C	D	E	BASKET GAUGE	FLANGE GAUGE
3	2.5"	8"	8.5"	9.25"	3.625"	15	15
4	3.5"	8"	9.25"	10.3"	4.5"	15	15

PROPRIETARY AND CONFIDENTIAL
THE INFORMATION CONTAINED IN THIS DRAWING IS THE SOLE PROPERTY OF <INSERT COMPANY NAME HERE>. ANY REPRODUCTION IN PART OR AS A WHOLE WITHOUT THE WRITTEN PERMISSION OF <INSERT COMPANY NAME HERE> IS PROHIBITED.

		DIMENSIONS ARE IN INCHES TOLERANCES: FRACTIONAL \pm ANGULAR: MACH \pm BEND \pm TWO PLACE DECIMAL \pm THREE PLACE DECIMAL \pm	
		MATERIAL	316 SS
NEXT ASSY	USED ON	FINISH	
APPLICATION		DO NOT SCALE DRAWING	

NAME	DATE
DRAWN	
CHECKED	
ENG APPR.	
MFG APPR.	
Q.A.	
COMMENTS:	

DRAIN NET TECHNOLOGIES			
STAINLESS STEEL STRAINER BASKET, TRENCH DRAIN			
SIZE	DWG. NO.	REV.	
A	061517-001	REV A	
SCALE:1:2	WEIGHT:	SHEET 1 OF 1	